



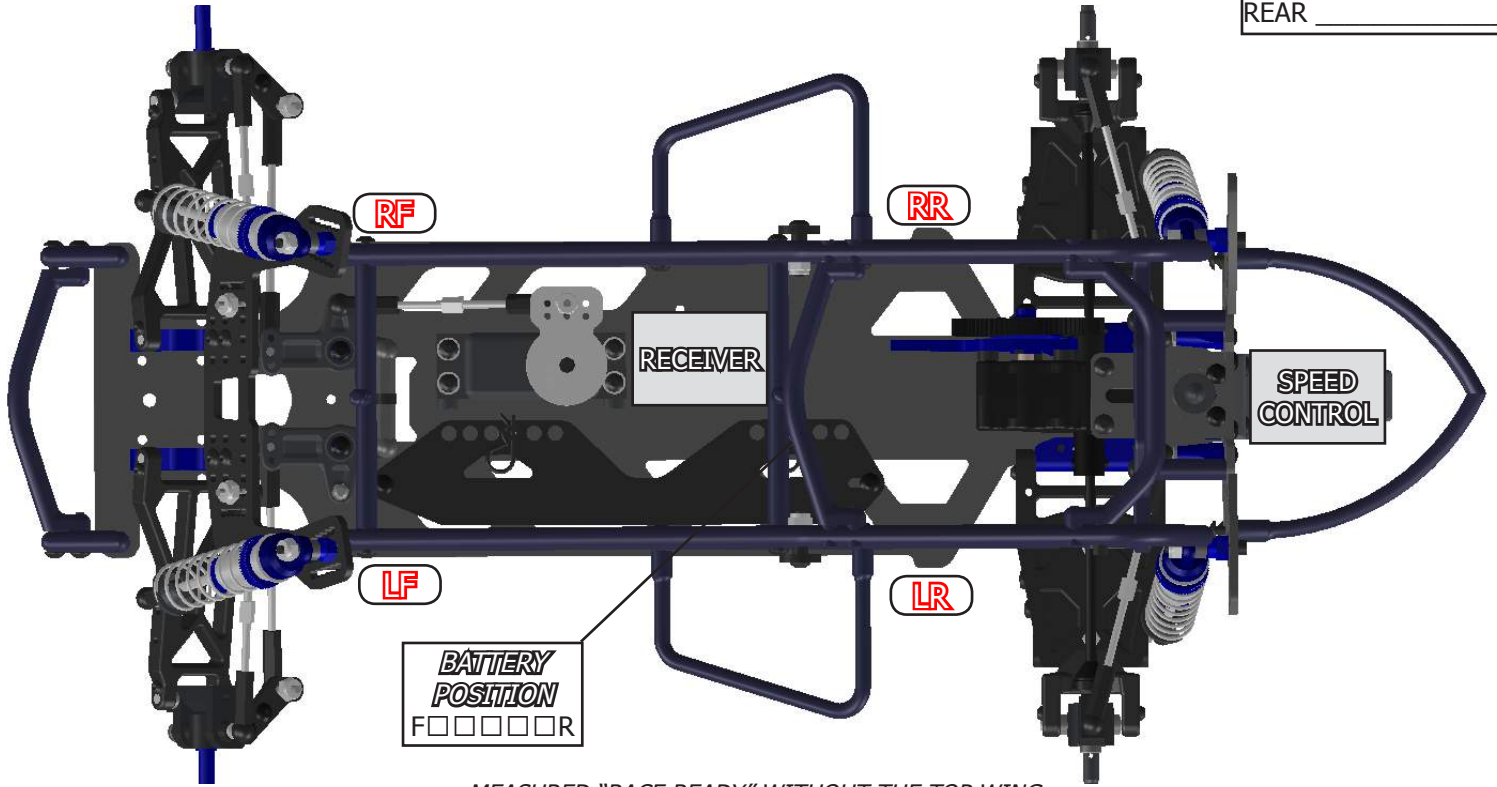


**RECEIVER**  
 AS SHOWN

**SPEED CONTROL**  
 AS SHOWN

**TRANNY LOCATION:**  
 FORWARD  
 REAR

**ADDED WEIGHT:**  
 FRONT \_\_\_\_\_  
 MIDDLE \_\_\_\_\_  
 REAR \_\_\_\_\_



-MEASURED "RACE READY" WITHOUT THE TOP WING

<p><b>RISE HEIGHTS BY LOCATION:</b></p> <p>LF: _____ RF: _____</p> <p>LR: _____ RR: _____</p> <p><b>MEASURED FROM:</b>  <input type="checkbox"/> TOP OF CHASSIS   <input type="checkbox"/> BOTTOM OF CHASSIS</p>	<p><b>CORNER WEIGHTS:</b></p> <p>LF: _____ RF: _____</p> <p>LR: _____ RR: _____</p> <p><b>OVERALL:</b> _____</p>	<p><b>MAX CHASSIS HEIGHT:</b></p> <p>LF: _____ RF: _____</p> <p>LR: _____ RR: _____</p> <p><b>MEASURED FROM:</b>  <input type="checkbox"/> TOP OF CHASSIS   <input type="checkbox"/> BOTTOM OF CHASSIS</p>
<p><b>POWER SETTINGS</b></p> <p>MOTOR: _____</p> <p>AMP DRAW: _____</p> <p>TIMING: _____</p> <p>PINION: _____</p> <p>SPUR: _____</p> <p>SPEED CONTROL: _____</p> <p style="padding-left: 20px;"><input type="checkbox"/> "BLINKY"   <input type="checkbox"/> OPEN</p> <p>SETTINGS: _____</p>	<p><b>AERO</b></p> <div style="border: 1px solid black; padding: 2px; margin-bottom: 5px;"> <p><b>MAIN WING</b></p> <p><input type="checkbox"/> 6X6</p> <p><input type="checkbox"/> 7X7</p> </div> <div style="border: 1px solid black; padding: 2px; margin-bottom: 5px;"> <p><b>FRONT WING</b></p> <p><input type="checkbox"/> NONE   <input type="checkbox"/> SMALL</p> <p><input type="checkbox"/> LARGE</p> </div> <div style="border: 1px solid black; padding: 2px;"> <p><b>HOOD TYPE</b></p> <p><input type="checkbox"/> TRADITIONAL</p> <p><input type="checkbox"/> SCOOP (HIGH DF)</p> </div>	<div style="border: 1px solid black; padding: 5px;"> <p><b>MAIN WING LOCATION</b></p> <p style="text-align: right;">             1 2 3 4 5 6              A ○○○○○○              B ○○○○○○              C ○○○○○○              D ○○○○○○              1 2 3 4 5 6 7           </p> <p><input type="checkbox"/> LOW WING</p> <p><input type="checkbox"/> HIGH WING</p> </div>
<p><b>BATTERY:</b> _____</p> <p><b>MOTOR TEMP AFTER RUN:</b> _____</p>		

**NOTES:**

---



---



---



---



---